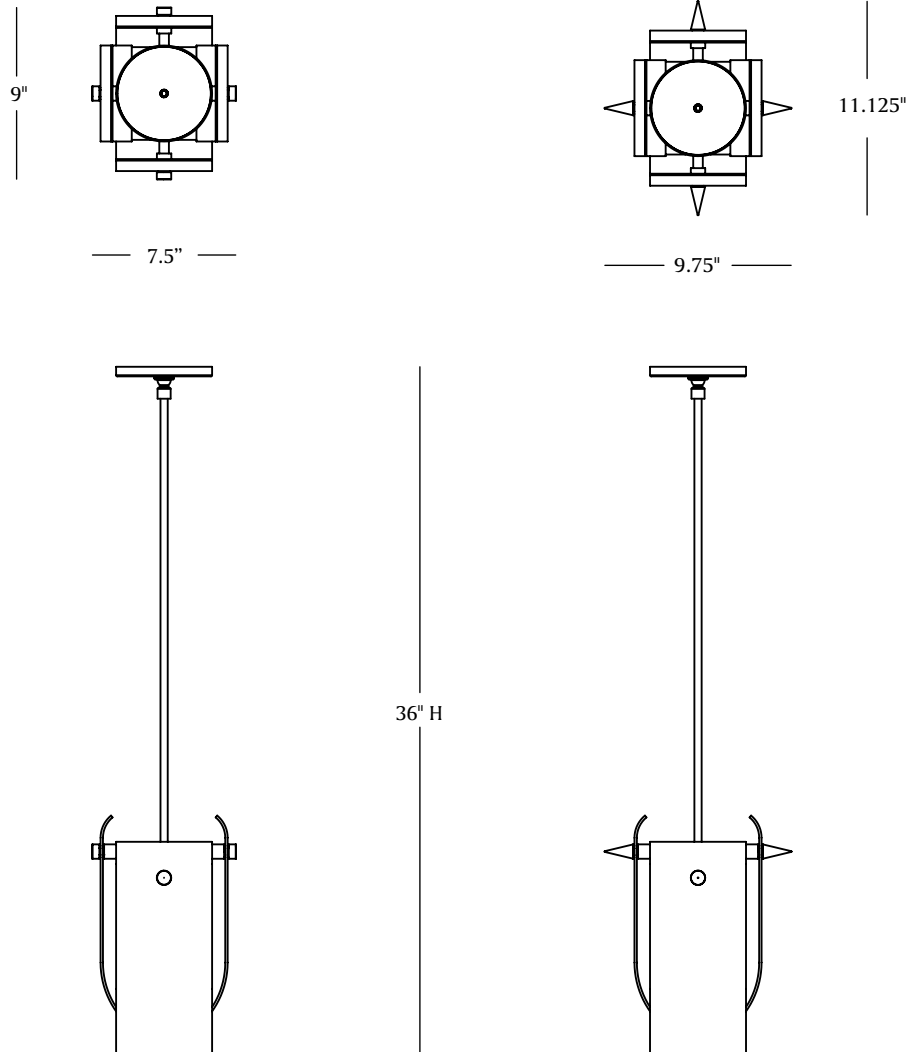


# MATERIA



PANES

# MATERIA



## PANES PENDANT

**LEAD TIME:**  
Approx 12 weeks

**LAMPING:**  
1x T10 E26 LED 4W dimmable  
Frosted bulb (Not Included)  
120V; 240V available by custom order

**DIMENSIONS:**  
Pendant: 7.5"w x 11"h x 9"d  
Canopy: 5"DIA x .5" Brass  
Brass arm: 24" L

**FINISHES:**  
Porcelain: natural  
Hand-fused glass: white iridescent, charcoal iridescent  
Aged brass, aged silver, blackened brass, un-lacquered brass

**CUSTOMIZATIONS AVAILABLE UPON REQUEST**

**UL LISTED**